

SmallRotoSonic PL (SRS PL)

Ask for your
tailored
OPEX ROI
calculation!



SRS PL: Multi-purpose sonic rig

- Mineral sampling
- Environmental exploration
- Geotechnical sampling and testing
- Geo-constructional drilling
- Seismic drilling
- Customized solutions

The SmallRotoSonic PL (SRS PL) excels through capturing the powerful sonic force in an extraordinarily small and manoeuvrable package. Why use direct push when 150 Hz RotoSonic delivers faster and better results and provides extremely undisturbed samples.



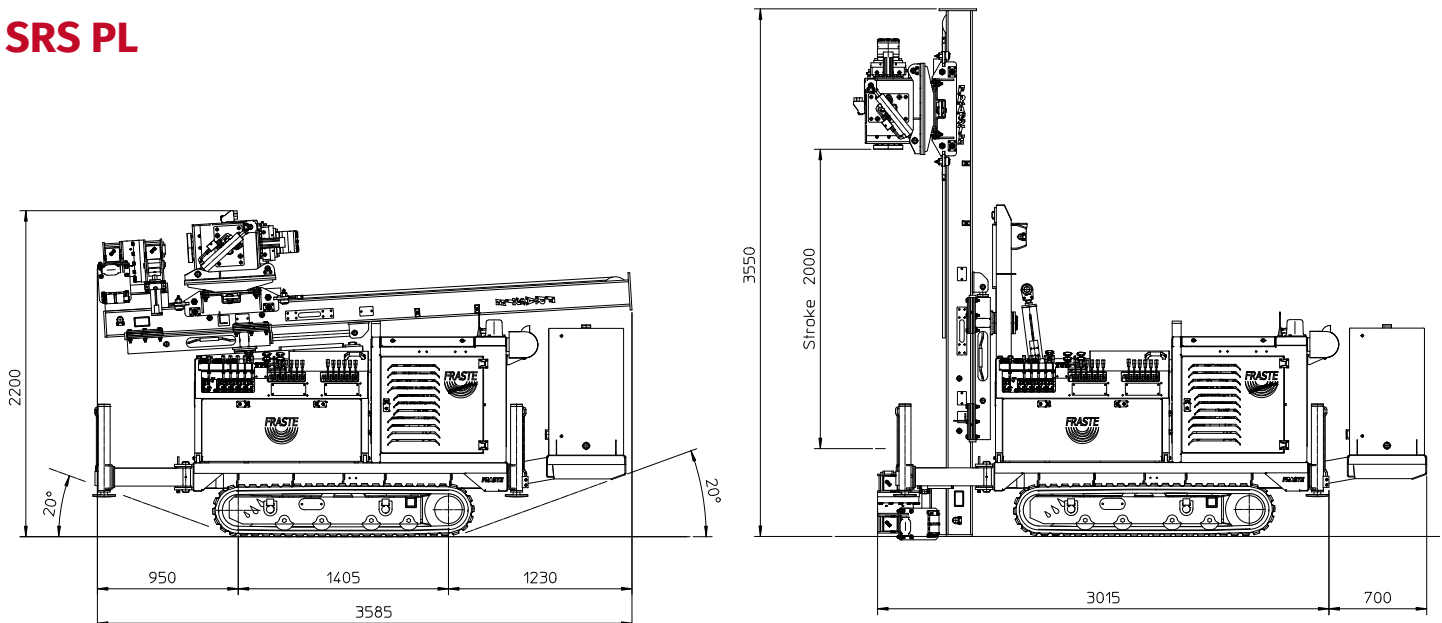
SRS-PL

SmallRotoSonic Drill head	Metric	Imperial
Max. frequency	0 - 150 Hz	0 - 150 Hz
Sonic vibration oscillator output force	100 kN	22.5 k lbf
2 eccentrics, mechanically synchronized	Included	Included
Rotation torque: clockwise 0-120 rpm	1.200 Nm @ 150 bar	885 ft-lbf @ 2,175 psi
Rotation torque: counter clockwise	1.400 Nm @ 172 bar	1,030 ft-lbf @ 2,500 psi
Head tilt max.	65°	65°
Type of dampener / buffer	rubber 2x	rubber 2x
Mass of head	230 kg	517 lbs
Pull up force in combination with sonic	2.500 daN	5,620 lbf
Pull down force in combination with sonic	2.500 daN	5,620 lbf
Pull up force static	6.000 daN	13,500 lbf
Pull down force static	4.000 daN	9,000 lbf

Rig	Metric	Imperial
Caterpillar 4 cylinder water cooled engine	49 kW	66 HP
Dimensions folded (L x W x H) approx.	3.585 x 1.100 x 2.200 mm	11'9" x 3'7" x 7'3"
Height (when drilling) max.	4.380 mm	15'9"
Mass approx. (depending on options)	3.200 - 4.500 kg	7,055 - 9,921 lbs
Fuel tank (diesel)	70 liter	19 gallon
Load sensing hydraulic system	Included	Included
High pressure water pump	19 l/min. @ 210 bar	5 gpm @ 3,045 psi
Large flow water pump FMC Bean E04	80 l/min. @ 40 bar	21 gpm @ 580 psi
Aluminum water tank	300 liter	79 gallon
Rubber tracks	width 1.450 mm	width 4'9"
Radio remote for all drilling functions and driving	Charger	2 batteries included
Casing rack	Included	Included
Work lights	2	2

Mast	Metric	Imperial
Stroke	1.500 mm	4'11"
Mast dump	500 mm	1'7.7"
Pull up	35 kN	7,868 lbf
Pull down	25 kN	5,620 lbf
Pull up and down speed	25 m/min	82 ft/min
Double hydraulic break out clamp	40 - 250 mm	1.6" - 9.8"
Adjustable clamping force of	97 kN	21,805 lbf
Break out torque	13 kNm	9,588 ft-lbf

SRS PL





Options	Metric	Imperial
SPT auto drop hammer with blow counter on control panel		
SPX40 hose pump	114 l/min @ 9.6 bar	30 gpm @ 140 psi
Safety cage		
ManipAll 200 (magnetic rod loading arm)		
Casing or drill rod storage depends on diameter and length		
Rotatable jibboom		
Special low clearance mast upon request		



For more information on demos, pilot projects or personal advice contact our sales department !

For urgent service calls and/or technical information contact or special service telephone: +31 313 800 967



Uitmaat 8
6987 ER Giesbeek
The Netherlands

T +31 313 880 201
E info@sonicsampdrill.com
I sonicsampdrill.com